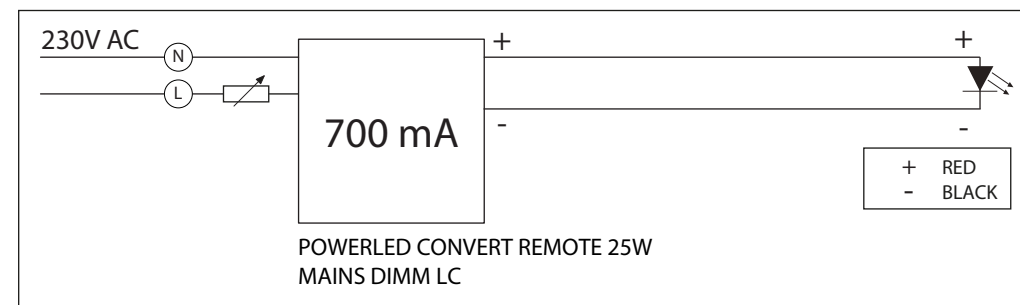
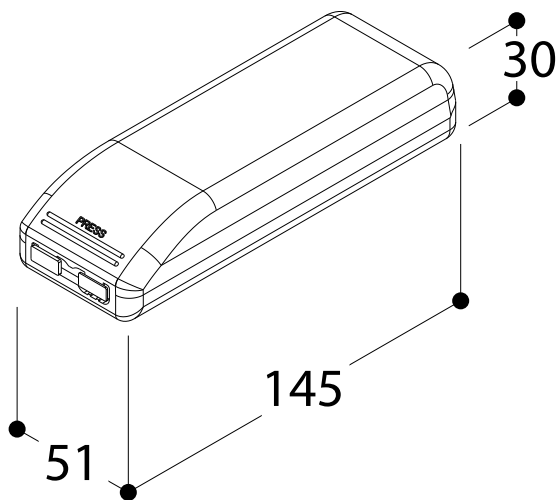


930589 Powered converter remote 25W 700mA mains dimm LC



Dimensions and wiring

Dimensions L x W x H	145 x 51 x 30 mm
Product weight	0,115 kg
Cable cross-section, input side	0,5 ... 2,5 mm ² ¹⁾
Cable cross-section, output side	0,5 ... 2,5 mm ² ¹⁾
Wire preparation length, input side	4 ... 5 mm
Wire preparation length, output side	4 ... 5 mm

¹⁾ Flexible / Solid leads

Colors & materials

Casing material	polycarbonate, white
-----------------	----------------------

Temperatures & operating conditions

Ambient temperature range _(ta)	-25 ... +50 °C
Maximum temperature at tc point	75 °Ct

Lifespan

ECC lifetime	50 000 h ¹⁾
--------------	------------------------

¹⁾ At Ta = 50 °C at Tc point / max. 0,2% failure rate per 1000h

Capabilities

Dimmable	YES
Dimming interface	Phase Cut ¹⁾
Dimming range	5 ... 100%
Dimming methode	current amplitude
Overload protection	automatic recovery
Short-circuit protection	automatic recovery
No-load proof	YES
Max. cable length to lamp/led module	2 m
Suitable for fixtures with prot. class	I / II
Type of connection, output side	Push terminal
Areas of application	Indoor

¹⁾ Trailing edge / Leading edge

Certificates & standards

Approval marks - approval	
Standards	EN 55015 / EN 61000-3-2 / EN 61000-3-3 / EN 61347-1 / EN 61347-2-13 / EN 61547 / EN 62384
Protection class	II
Type of protection	IP 20

Electrical data

Nominal input voltage	220 - 240 V
Mains frequency	50 / 60 Hz
Input voltage AC	198 - 264 V
Typ. rated current _(at 230 V, 50 Hz, full load)	0,13 A
Power factor λ _(at full load)	0,99
Power factor λ _(at min. load)	0,97
Output current tolerance _(at min. load)	± 7,5 %
Typ. current ripple _(at 230 V, 50 Hz, full load)	± 30 %
Turn on time _(at 230 V, 50 Hz, full load)	≤ 0,1 s
Turn off time _(at 230 V, 50 Hz, full load)	≤ 0,1 s
Hold on time at power failure _(output)	0 s
Efficiency _(at full load)	83%
Efficiency _(at min. load)	82%
Output current	700 mA
Forward voltage	17 ... 39 V
Output power	25 W
Galvanic isolation	SELV



ALWAYS DISCONNECT MAINS POWER SUPPLY FROM CONVERTER BEFORE SWITCHING "ON" LED LUMINAIRES TO PREVENT HOT PLUGGING ISSUES